



# CURRENT TRANSFORMERS

## CTB size 1

Current transformers of CTB type are designed for indoor use at medium voltages. Epoxy resin casting (containing wounded cores inside) is the main electrical insulation. Excellent parameters of electrical insulation (including low level of partial discharges) are guaranteed.

CTB current transformers size 1 are used in all applications where small dimensions and high rated dynamic currents are necessary, for example in tapping busducts of power generators.

The primary current winding is made of copper conductor with silvered terminals. The length, size and type of terminals are manufactured according to Client's requirements.

The epoxy resin castings of CTB current transformers size 1 are manufactured in various lengths, so the overall dimensions are optimised, according to the quantity of cores (max. 4 cores in standard execution) and their rated outputs.

CTB current transformers can be mounted in any position.



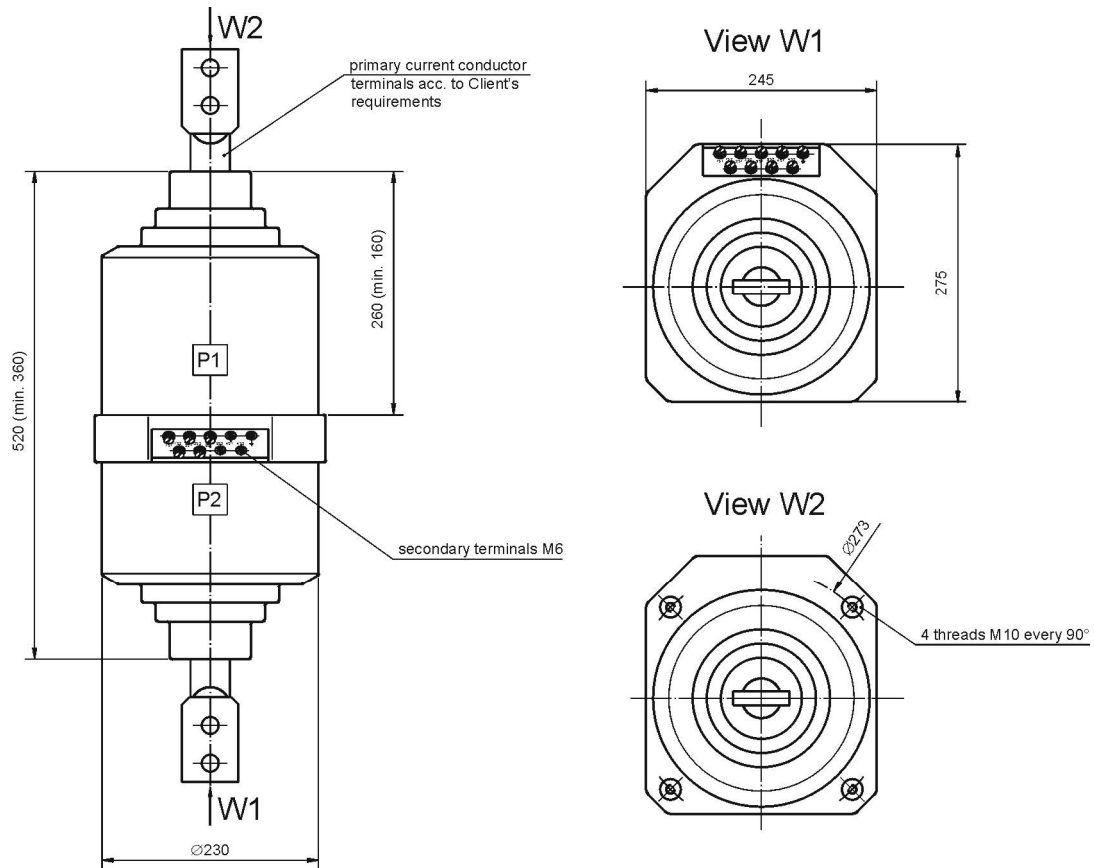
doc. INFO.CTB1. ver.b en



PLESSE Spółka Cywilna  
Maciej Moskał & Dariusz Mrotek  
Poland, 43-200 Pszczyna, Polne Domy 41  
tel./fax +48 32 211 47 14, +48 32 447 88 33  
e-mail: biuro@plesse.pl

**PLESSE**  
INSTRUMENTS  
www.plesse.pl

**Example dimensional drawings of CTB current transformer with 4 cores.**



**Technical data of CTB current transformers size 1.**

- highest permissible system ..... 7.2/12/17.5/24 kV
- power frequency withstand voltage, 1 min. .... 20/28/38/50 kV
- impulse withstand voltage 1.2/50  $\mu$ s ..... 60/75/95/125 kV
- rated frequency ..... 50 Hz
- rated primary current  $I_{pn}$  ..... 100 ÷ 3 000 A
- rated short-time thermal current  $I_{th1s}$  ..... 100 kA
- rated dynamic current  $I_{dyn}$  ..... 250 kA
- number of cores ..... up to 4
- rated secondary currents  $I_{sn}$  ..... 1 A or 5 A
- rated outputs  $S_n$  ..... 5 ÷ 90 VA
- accuracy classes ..... 0.2, 0.5, 5P, 10P
- instrument security factor (FS) ..... 5, 10, 15
- accuracy limit factor ..... 10, 20, 50
- ambient temperature ..... -25 ÷ 65 °C
- weight ..... ca 30 kg
- according to standards ..... PN-EN 61869-1:2012