

CAST RESIN TRANSFORMERS

type TP1HSN-2.5/7.2

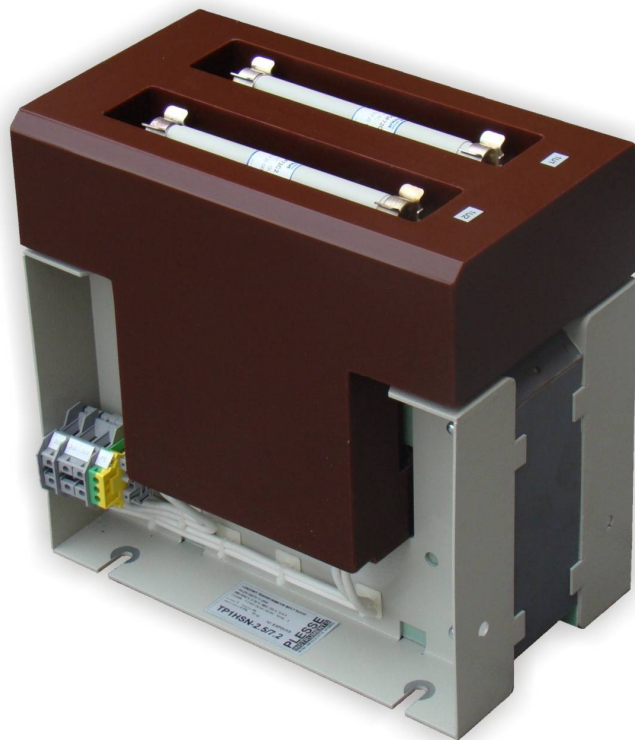


Single-phase dry-type transformers TP1HSN are modern products with lower and upper voltage windings cast in epoxy resin. Windings are perfectly protected against moisture and heat dissipation is excellent. The technology of epoxy resin casting ensures high quality of electrical insulation.

Medium voltage fuses are mounted in chambers formed in the casting. In addition, fuses are covered with insulating guards made of silicone rubber.

UNICORE cores guarantee very low levels of excitation currents and excitation losses.

Transformers TP1HSN-2.5/7.2 are manufactured in two versions: with core in horizontal arrangement and with core in vertical arrangement.



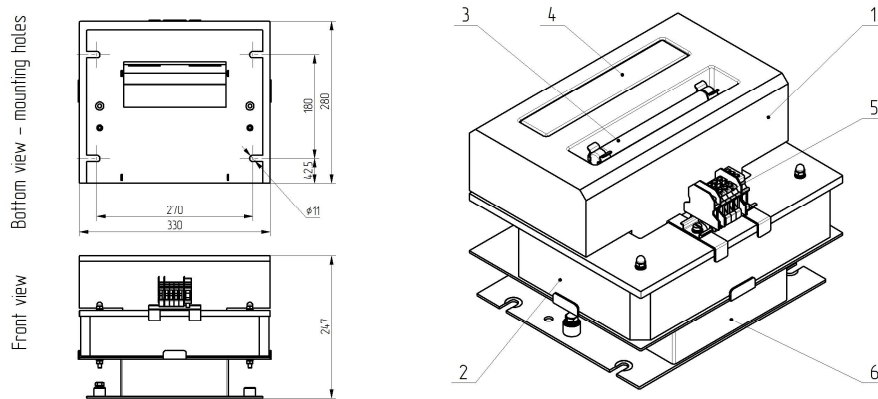
doc. INFO. TP1HSN-2.5/7.2 ver.b en



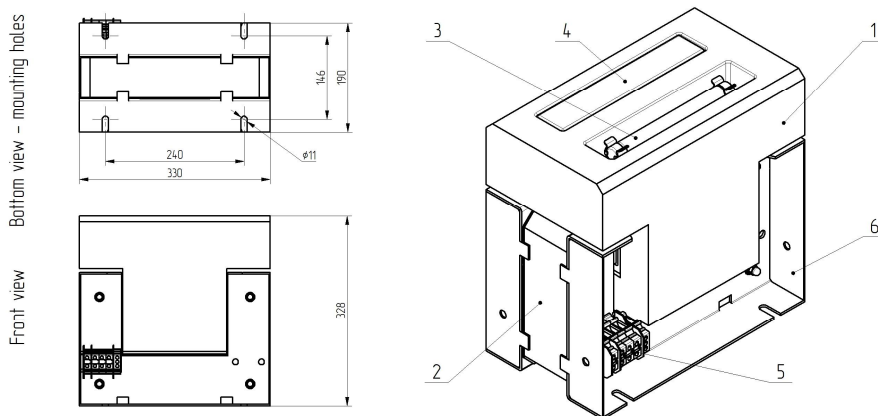
PLESSE Spółka Cywilna
Maciej Moskał & Dariusz Mrotek
Poland, 43-200 Pszczyna, Polne Domy 41
tel./fax +48 32 211 47 14, +48 32 447 88 33
e-mail: biuro@plesse.pl

PLESSE
INSTRUMENTS
www.plesse.pl

Dimensional drawing of transformer TP1HSN-2.5/7.2 - version with core in horizontal arrangement



Dimensional drawing of transformer TP1HSN-2.5/7.2 - version with core in vertical arrangement



Description: 1/ epoxy resin casting, 2/ core (UNICORE), 3/ fuse + upper voltage terminal, 4/ insulating guard made of silicone rubber, 5/ lower voltage terminals; terminal blocks 16 or 6 mm², 6/ housing

Technical data of transformers TP1HSN-1.5/7.2

- highest permissible system voltage / power frequency withstand voltage / impulse withstand voltage 7.2 / 20 / 40 kV
- number of phases, frequency 1 ~ 50 Hz
- rated power 2.5 kVA
- rated voltages upon agreement – for example 6 600 / 230 V
- tap connections (lower voltage winding) option – for example ±5 %
- impedance voltage 4.5 %
- excitation loss 25 W
- power loss at rated current 80 W
- cooling AN
- weight ca 55 kg
- ambient temperature -25 ÷ 65 °C
- according to standard EN 60076-11:2006