



CAST RESIN TRANSFORMERS

type TP1HSN -5/24



Single-phase dry-type transformers TP1HSN are modern products with lower and upper voltage windings cast in epoxy resin. TP1HSN transformers are designed for indoor applications. Windings are perfectly protected against moisture and heat dissipation is excellent. The technology of epoxy resin casting ensures high quality of electrical insulation.

UNICORE cores guarantee very low levels of excitation currents and excitation losses.

Medium voltage fuse holders with outer diameter of 53 mm can be mounted on upper voltage terminals.

Transformers type TP1HSN are used mainly as auxiliary transformers.



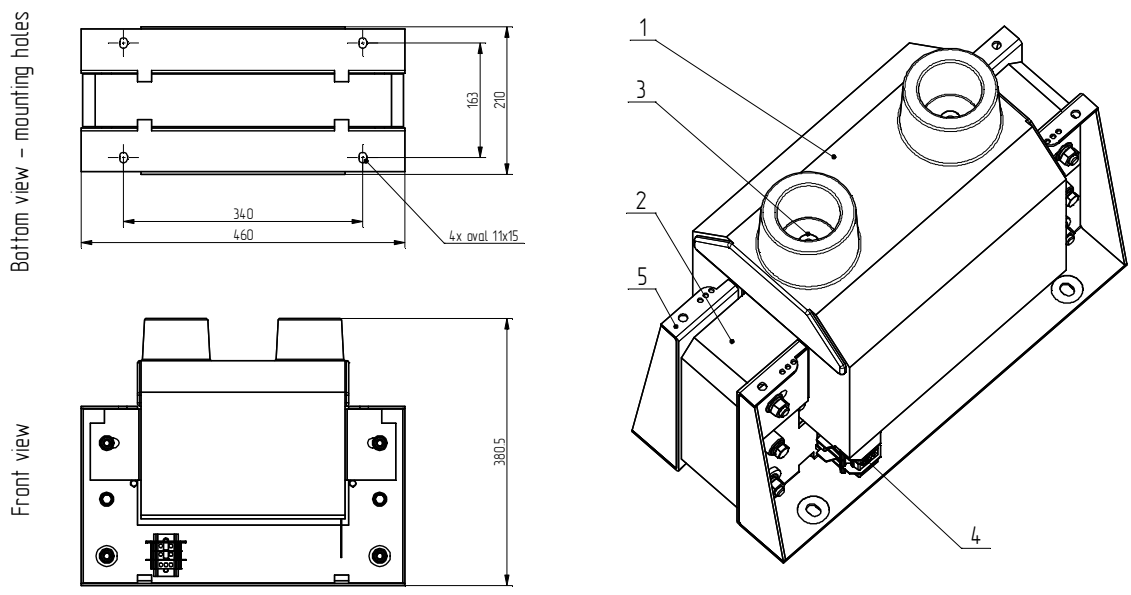
doc. INFO.TP1HSN-5/24 ver.c en



PLESSE Spółka Cywilna
Maciej Moskał & Dariusz Mrotek
Poland, 43-200 Pszczyna, Polne Domy 41
tel./fax +48 32 211 47 14, +48 32 447 88 33
e-mail: biuro@plesse.pl

PLESSE
INSTRUMENTS
www.plesse.pl

Dimensional drawing of transformer TP1HSN-5/24



Description: 1/ epoxy cast resin casting, 2/ core (UNICORE), 3/ upper voltage terminal (PRI), thread M10, 4/ lower voltage terminals(SEC), terminal blocks 16mm², 5/ housing

Technical data of transformers TP1HSN-5/24

- highest permissible system voltage / power freq. withstand voltage / imp. withstand voltage up to **24 / 50 / 125 kV**
- number of phases, frequency **1 ~ 50 Hz**
- rated power **5 kVA**
- rated voltages upon agreement –for example **22 000 / 230 V**
- tap connections (lower voltage winding) option – for example **±5 %**
- impedance voltage **4.5 %**
- excitation loss **< 45 W**
- power loss at rated current **170 W**
- cooling **AN**
- weight ca **80 kg**
- ambient temperature **-25 ÷ 65 °C**
- according to standard **EN 60076-11:2006**

NOTES: