



# CURRENT TRANSFORMERS

## CTB size 2

Current transformers of CTB type are designed for indoor use at medium voltages. Epoxy resin casting (containing wounded cores inside) is the main electrical insulation. Excellent parameters of electrical insulation (including low level of partial discharges) are guaranteed.

The typical areas of application are switchgear cubicles and busducts of power generators. With regard to the possibility of sealing of the primary current conductor, CTB current transformers can be used as end-bushings of the busducts with overpressure.

The epoxy resin castings are manufactured without primary current conductors. Inside diameter of the casting is 100 or 120 mm. If required, current transformer is equipped with primary current conductor manufactured according to Client's requirements (length, size and type of terminals).

CTB current transformers have up to 4 cores for measuring and/or protection.

CTB current transformers can be mounted in any position.



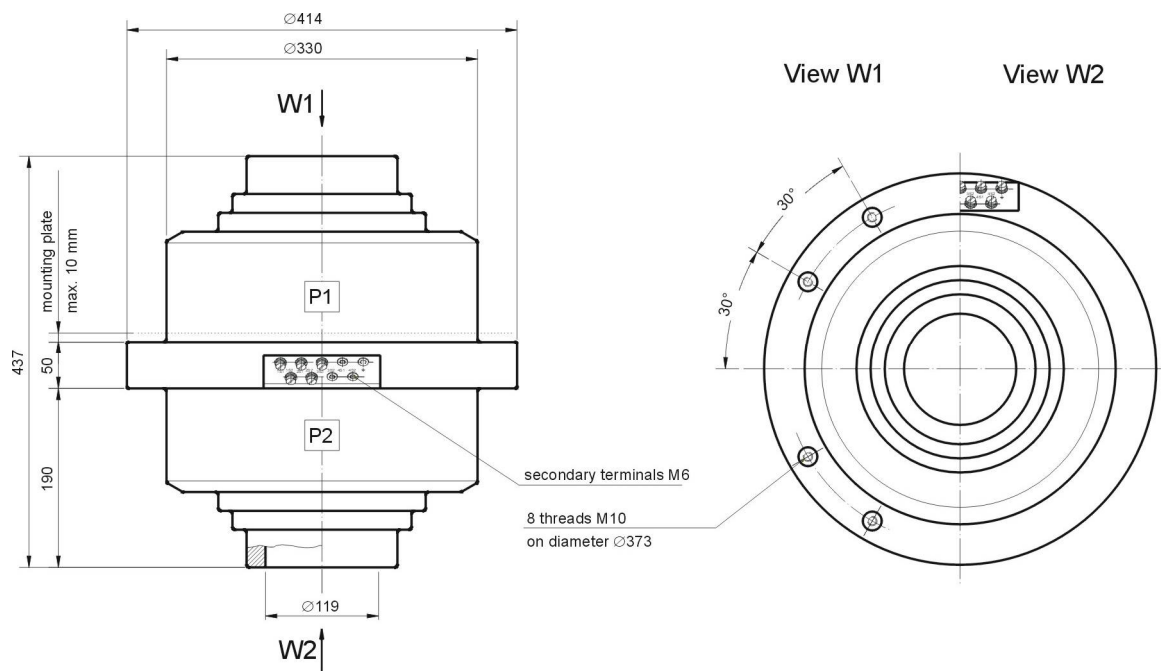
doc. INFO.CTB2 ver.b en



PLESSE Spółka Cywilna  
Maciej Moskał & Dariusz Mrotek  
Poland, 43-200 Pszczyna, Polne Domy 41  
tel./fax +48 32 211 47 14, +48 32 447 88 33  
e-mail: biuro@plesse.pl

**PLESSE**  
INSTRUMENTS  
[www.plesse.pl](http://www.plesse.pl)

## Example dimensional drawing of CTB current transformer size 2.



## Technical data of CTB current transformers size 2.

- highest permissible system voltage ..... **7.2/12/17.5/24 kV**
- power frequency withstand voltage, 1 min. .... **20/28/38/50 kV**
- impulse withstand voltage 1.2/50  $\mu$ s ..... **60/75/95/125 kV**
- rated frequency ..... **50 Hz**
- rated primary current  $I_{Pn}$  ..... up to **5 000 A**
- rated short-time thermal current  $I_{th1s}$  ..... **100 kA**
- rated dynamic current  $I_{dyn}$  ..... **250 kA**
- number of cores ..... up to **4**
- rated secondary currents  $I_{Sn}$  ..... **1 A or 5 A or fractional**
- rated outputs  $S_n$  ..... **5 ÷ 90 VA**
- accuracy classes ..... **0.2, 0.5, 5P, 10P**
- instrument security factor (FS) ..... **5, 10, 15**
- accuracy limit factor ..... **10, 20, 50**
- ambient temperature ..... **-25 ÷ 65 °C**
- weight ..... ca **60 kg**
- according to standards ..... **PN-EN 61869-1:2012**

### NOTES: