

CAST RESIN TRANSFORMERS

type TP1HSN-0.5/7.2



Single-phase dry-type transformers TP1HSN are modern products with lower and upper voltage windings cast in epoxy resin. Windings are perfectly protected against moisture and heat dissipation is excellent. The technology of epoxy resin casting ensures high quality of electrical insulation.

Medium voltage fuses are mounted in chambers formed in the casting. In addition, fuses are covered with insulating guards made of silicone rubber.

UNICORE cores guarantee very low values of excitation current and excitation loss.

Transformers TP1HSN are used mainly in auxiliary circuits.



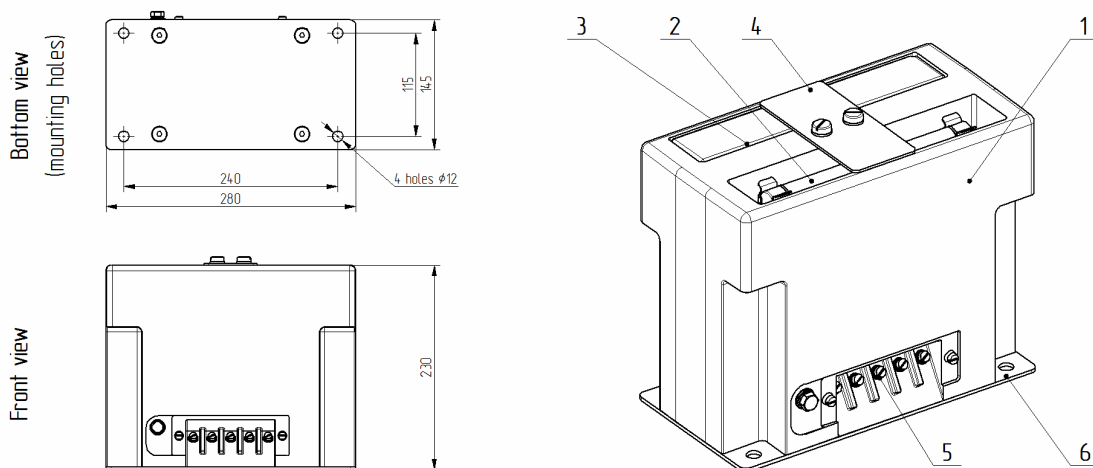
doc. INFO.TP1HSN-0.5/7.2 ver. b en



PLESSE Spółka Cywilna
Maciej Moskał & Dariusz Mrotek
Poland 43-200 Pszczyna, Polne Domy 41
tel./fax +48 32 211 47 14, +48 32 447 88 33
e-mail: biuro@plesse.pl

PLESSE
INSTRUMENTS
www.plesse.pl

Dimensional drawing of transformer TP1HSN-0.5/7.2



Description: 1/ epoxy resin casting, 2/ fuse + upper voltage terminal, 3/ insulating guard made of silicone rubber, 4/ fixing element for protection of silicone guards (option), 5/ lower voltage terminals; bolts M6, 6/ mounting plate

Technical data of transformers TP1HSN-0.5/7.2

- highest permissible system voltage / power frequency withstand voltage / impulse withstand voltage 7.2 / 20 / 40 kV
- number of phases, frequency 1 ~ 50 Hz
- rated power 500 VA
- rated voltages upon agreement – for example 6 600 / 230 V
- tap connections (lower voltage winding) option – for example $\pm 5\%$
- impedance voltage 4.5 %
- excitation loss 10 W
- power loss at rated current 20 W
- cooling AN
- weight ca 24 kg
- ambient temperature $-25 \div 65\text{ }^{\circ}\text{C}$
- according to standard EN 60076-11:2006

NOTES: