

▶ CAST-RESIN POWER TRANSFORMERS

type TP1HSN-4/24B



Single-phase dry TP1HSN type transformers with rated power of 4 kVA are modern devices made up in the form of monolithic epoxy-resin casts. The technologies we use ensure high quality of electrical insulation of the device.

TP1HSN transformers are built on the base of the UNICORE core and are characterized by very low excitation loss. They are primarily used as auxiliary transformers.

Fuse holders can be installed on the terminals of upper voltage.



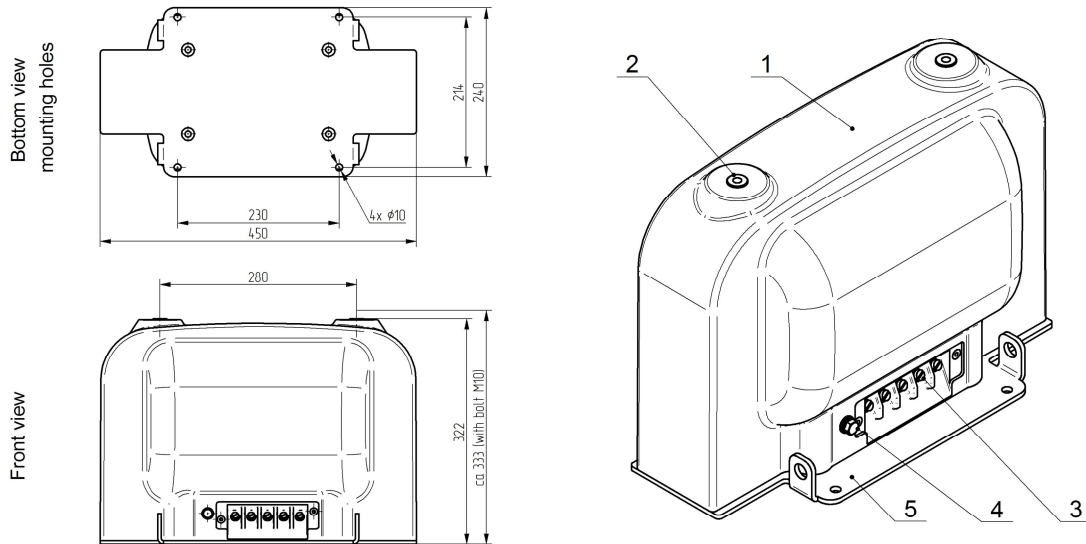
doc. INFO. TP1HSN-4/24B ver.b en



PLESSE Spółka Cywilna
Maciej Moskał & Dariusz Mrotek
Poland, 43-200 Pszczyna, Polne Domy 41
tel./fax +48 32 211 47 14, +48 32 447 88 33
e-mail: biuro@plesse.pl

PLESSE
INSTRUMENTS
www.plesse.pl

Dimensional drawing



Description: 1/ epoxy-resin cast with windings and the UNICORE core, 2/ upper voltage terminal (PRI) - M10 bolts, 3/ lower voltage terminals (SEC) - M6 bolts (CAUTION - maximum of 5 terminals), 4/ ground (earth) connection - M8 bolt, 5/ mounting plate

Technical data

- highest permissible system voltage / power freq. withstand voltage / impulse withstand voltage **24 / 50 / 125 kV**
- number of phases, frequency **1 ~ 50 Hz**
- rated power **4 kVA**
- voltage ratio upon agreement – for example **22 000 / 230 V**
- tap connections (low voltage terminals, for example ± 5%) **YES (option)**
- impedance voltage **ca 4.5 %**
- excitation loss **< 35 W**
- power loss at rated current **145 W**
- cooling **AN**
- weight **ca 77 kg**
- ambient temperature **-5 ÷ 40 °C**
- according to the standard **PN-EN 60076-11:2006**

Additional technical data (according to the standard for inductive voltage transformers)

- voltage factor **1.2**
- thermal power limit **5 kVA**
- according to the standard **PN-EN 61869-3:2011**

NOTES: