



CAST RESIN TRANSFORMERS

type TP1HSN-2U-16/24

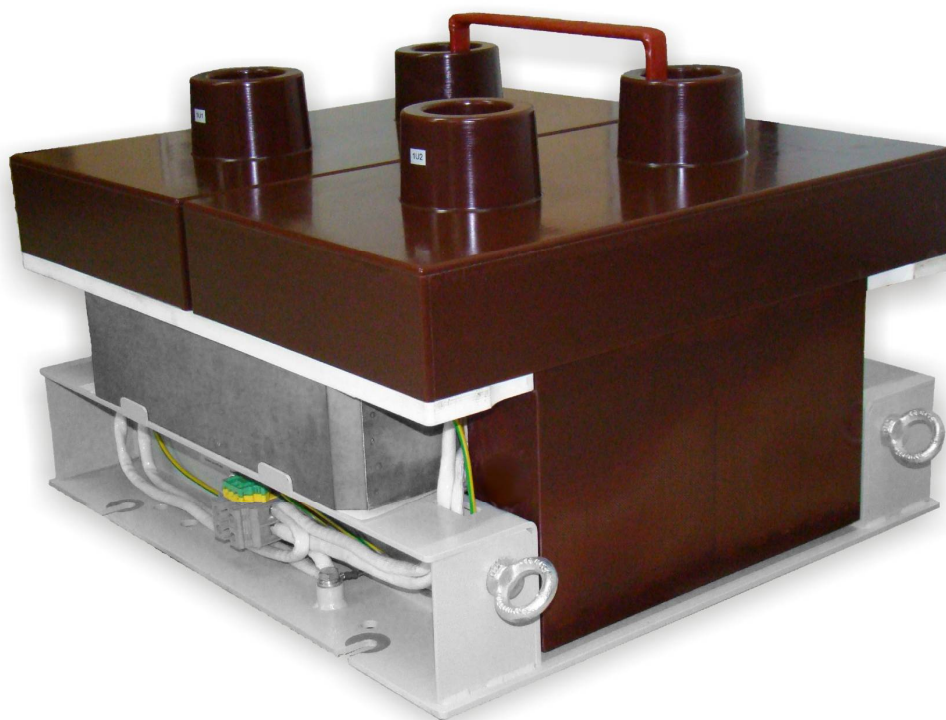


Single-phase dry-type transformers TP1HSN are modern products with upper voltage windings cast in epoxy resin in a monolithic form. Windings are perfectly protected against moisture and heat dissipation is excellent.

TP1HSN series transformers are mainly used as auxiliary transformers in indoor applications.

The technologies of epoxy resin casting ensure high quality of electrical insulation of the device. The transformers are manufactured basing on UNICORE cores that guarantee very low levels of no-load losses and excitation currents.

Upper voltage winding terminals are adapted for medium voltage fuse holders up to 53 mm in diameter.



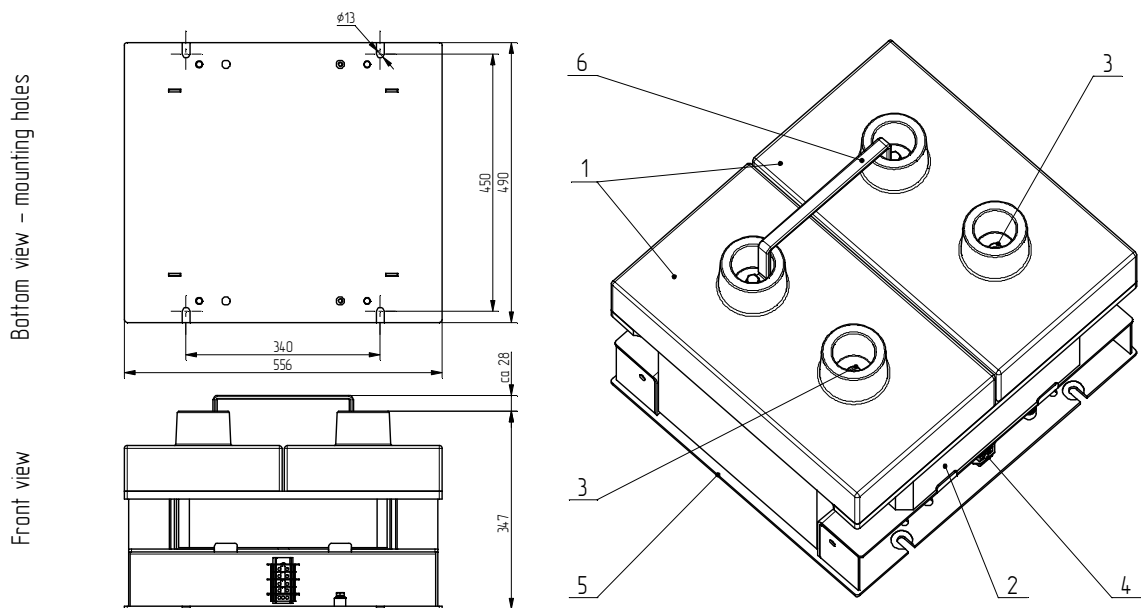
doc. INFO. TP1HSN-2U-16/24 ver.b en



PLESSE Spółka Cywilna
Maciej Moskał & Dariusz Mrotek
Poland, 43-200 Pszczyna, Polne Domy 41
tel./fax +48 32 211 47 14, +48 32 447 88 33
e-mail: biuro@plesse.pl

PLESSE
INSTRUMENTS
www.plesse.pl

Dimensional drawing of transformer TP1HSN-2U-16/24



Description: 1/ epoxy resin casting, 2/ core (UNICORE), 3/ upper voltage terminal (PRI), M10 thread, 4/ lower voltage terminals (SEC), terminal blocks 35mm², 5/ housing, 6/ connector of upper voltage windings

Technical data of transformers TP1HSN-2U-16/24

- highest permissible system voltage / power freq. withstand voltage / impulse withstand voltage ... up to **24 / 50 / 125 kV**
- number of phases, frequency **1 ~ 50 Hz**
- rated power **16 kVA**
- rated voltages to be agreed – for example **22 000 / 230 V**
- tap connections (lower voltage winding) (e.g. ±5%) **YES (option)**
- impedance voltage **4.1 %**
- excitation loss **< 75 W**
- power loss at rated current **260 W**
- cooling **AN**
- weight ca **180 kg**
- ambient temperature **-25 ÷ 65 °C**
- compliance with standards **EN 60076-11:2006**

NOTES: