



CURRENT TRANSFORMERS

type CTG



Current transformers of CTG type are designed for indoor use at medium voltages for current up to 15 000 A.

The typical areas of application are heavy current busducts. The current conductor of busduct or switchgear is the primary winding of a current transformer.

The main electrical insulation is obtained by means of a suitable air gap.

CTB current transformers have up to 5 cores for measuring and/or protection.



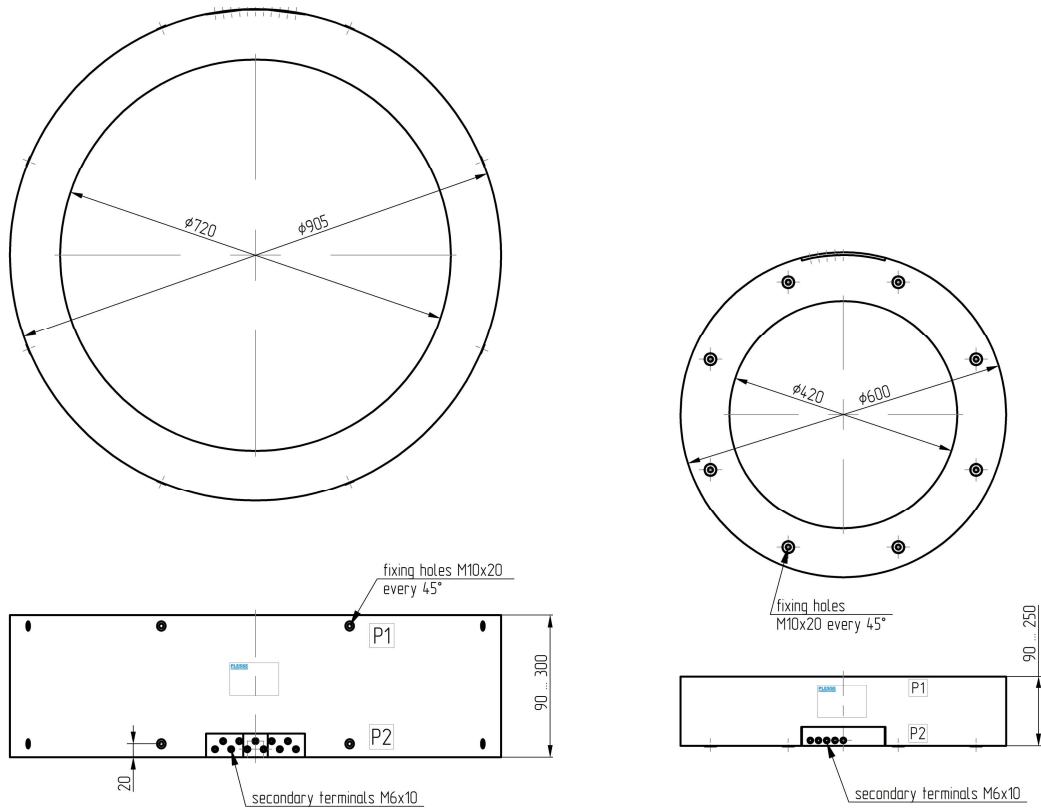
doc. INFO.CTG ver.c en



PLESSE Spółka Cywilna
Maciej Moskał & Dariusz Mrotek
Poland, 43-200 Pszczyna, Polne Domy 41
tel./fax +48 32 211 47 14, +48 32 447 88 33
e-mail: biuro@plesse.pl

PLESSE
INSTRUMENTS
www.plesse.pl

Example drawings of CTG current transformer.



Technical data of CTG current transformers.

- highest permissible system voltage **0.72/7.2/12/17.5/24/36 kV**
- power frequency withstand voltage, 1 min. **3/20/28/38/50/70 kV**
- impulse withstand voltage 1.2/50 μ s **60/75/95/125/170 kV**
- rated frequency **50/60 Hz**
- rated primary current I_{Pn} **500 – 15 000 A**
- rated short-time thermal current I_{th1s} **100 x I_{Pn}**
- rated dynamic current I_{dyn} **2.5 x I_{th1s}**
- number of cores up to 5
- rated secondary currents I_{Sn} **1 A lub 5 A or fractional**
- rated outputs S_n **5 ÷ 100 VA**
- accuracy classes **0.2, 0.2S, 0.5, 0.5S, 5P, 5PR, 10P, 10PR, PX**
- instrument security factor (FS) **5, 10, 15**
- accuracy limit factor **10, 20, 50**
- ambient temperature **-5 ÷ 90 °C**
- according to standards **PN-EN 61869-2:2012**

NOTES: