

# ▶ CAST-RESIN POWER TRANSFORMERS

## type TP1HSN-4/24C



Single-phase dry TP1HSN type transformers with rated power of 4 kVA are modern devices made up in the form of monolithic epoxy-resin casts. The technologies we use ensure high quality of electrical insulation of the device.

TP1HSN transformers are built on the base of the UNICORE core and are characterized by very low excitation loss. They are primarily used as auxiliary transformers.

Fuse holders can be installed on the terminals of upper voltage.



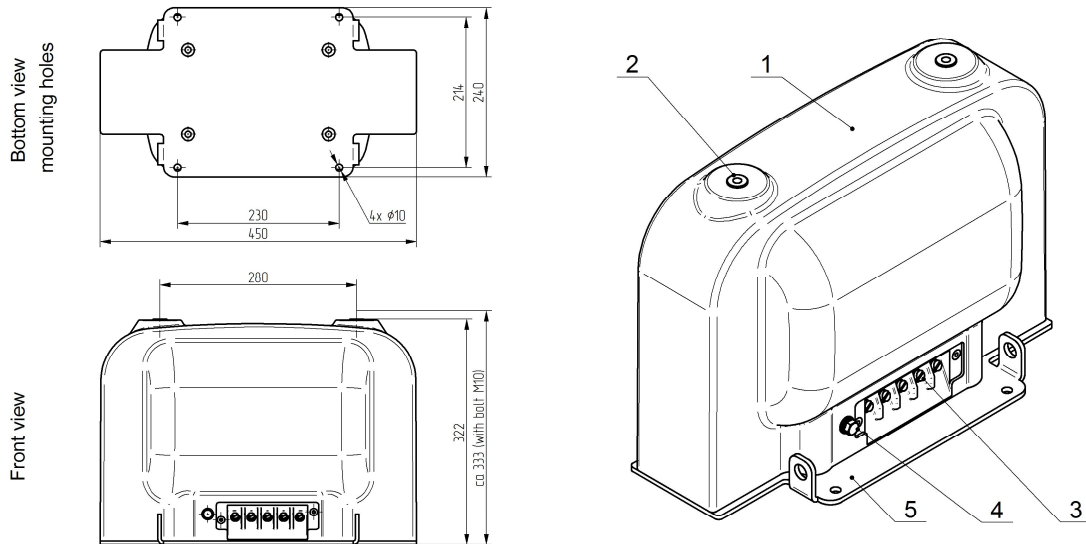
doc. INFO. TP1HSN-4/24C ver.b en



PLESSE Spółka Cywilna  
Maciej Moskal & Dariusz Mrotek  
Poland, 43-200 Pszczyna, Polne Domy 41  
tel./fax +48 32 211 47 14, +48 32 447 88 33  
e-mail: biuro@plesse.pl

**PLESSE**  
INSTRUMENTS  
[www.plesse.pl](http://www.plesse.pl)

## Dimensional drawing



Description: 1/ epoxy-resin cast with windings and the UNICORE core, 2/ upper voltage terminal (PRI) - M10 bolts, 3/ lower voltage terminals (SEC) - M6 bolts (CAUTION – maximum of 5 terminals), 4/ ground (earth) connection - M8 bolt, 5/ mounting plate

## Technical data

- highest permissible system voltage / power freq. withstand voltage / impulse withstand voltage ..... 24 / 50 / 125 kV
- number of phases, frequency ..... 1 ~ 50 Hz
- rated power ..... 4 kVA
- voltage ratio ..... upon agreement – for example 22 000 / 230 V
- tap connections (low voltage terminals, for example  $\pm 5\%$ ) ..... YES (option)
- impedance voltage ..... ca 4.5 %
- excitation loss ..... < 35 W
- power loss at rated current ..... 145 W
- cooling ..... AN
- weight ..... ca 77 kg
- ambient temperature .....  $-5, 40\text{ }^{\circ}\text{C}$
- according to the standard ..... PN-EN IEC 60076-11:2018

## Additional technical data (according to the standard for inductive voltage transformers)

- voltage factor ..... 1.2
- thermal power limit ..... 5 kVA
- according to the standard ..... PN-EN 61869-3:2011

NOTES: